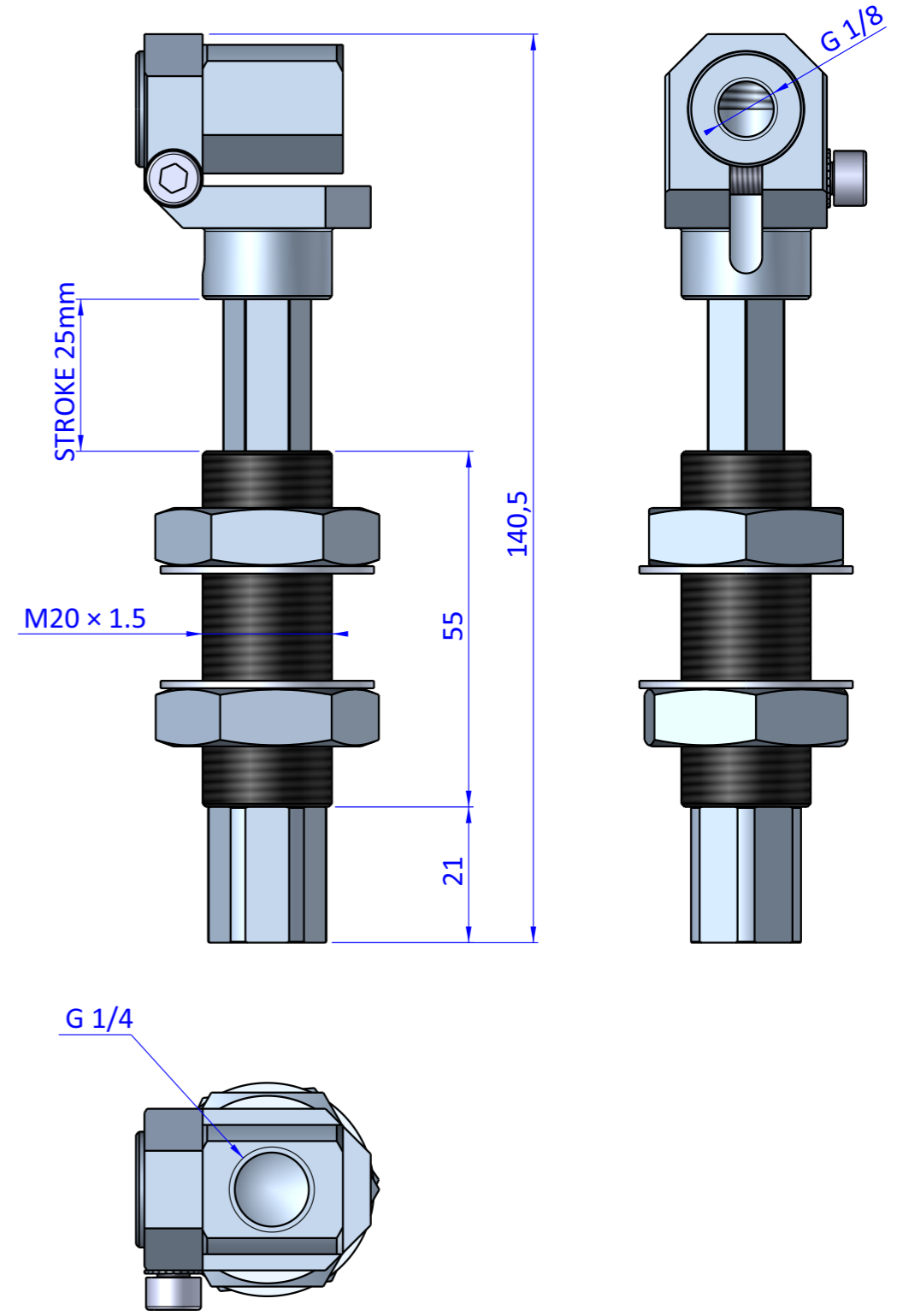
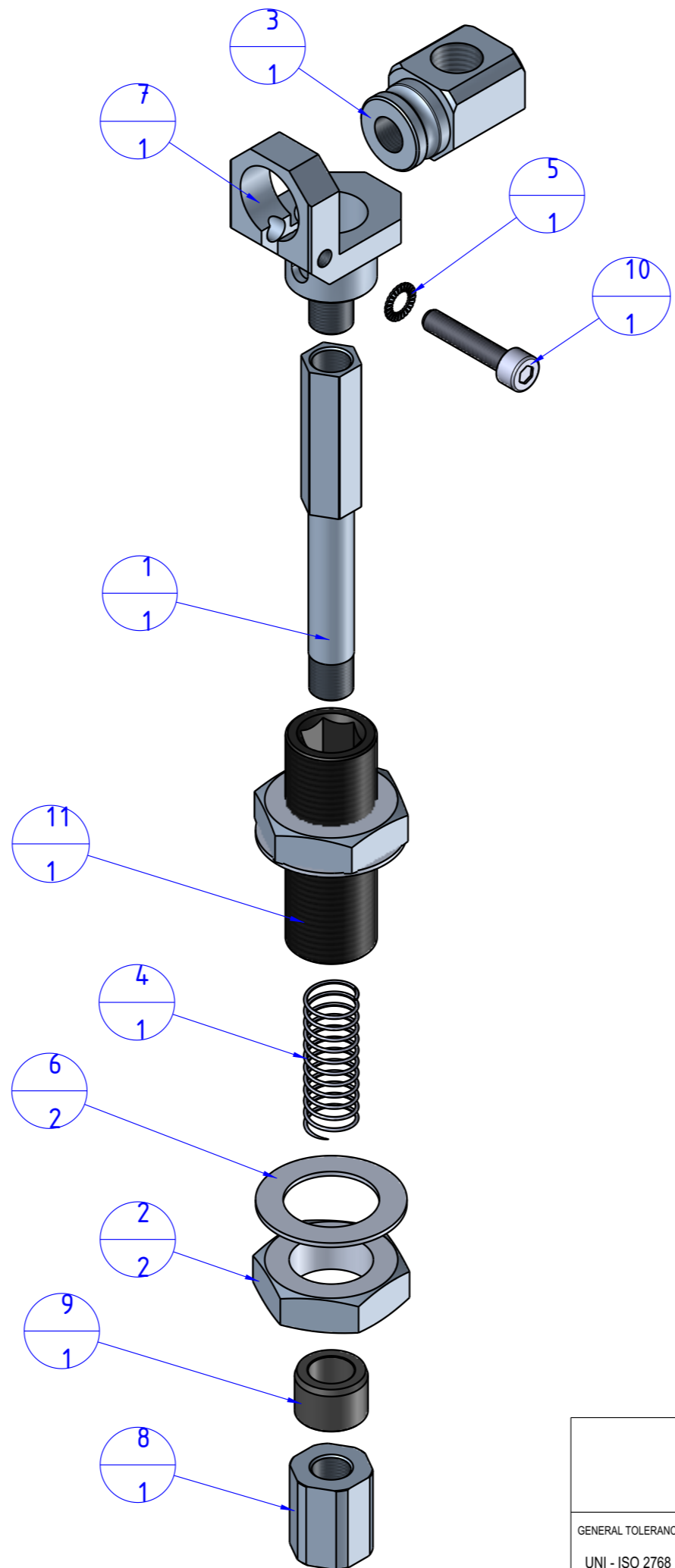



THE PROPERTY OF THE DRAWING IS ESTABLISHED BY LAW. IT IS FORBIDDEN TO PRODUCE OR SHOW IT TO THIRD PART. WITHOUT A WRITTEN AGREEMENT.

| Item | Name | Q.ty |
|------|----------------|------|
| 1 | VSN.2025.4 | 1 |
| 2 | 05.02.001.06 | 2 |
| 3 | GGB.20.14.18 | 1 |
| 4 | M.12X39.50 | 1 |
| 5 | R.5.SCH | 1 |
| 6 | R.20.SCH | 2 |
| 7 | SSN.20251418.1 | 1 |
| 8 | VSN.20.1 | 1 |
| 9 | VSN.2025.3 | 1 |
| 10 | V.TCE5x25 | 1 |
| 11 | VSN.2025.2.1 | 1 |



Format A3
UNI 936-76

| | | | | |
|--|--|------------------|--|------------------|
|  FPS FPSERVICES AUTOMATION | | DESIGNED FROM | | REVIEW |
| | | FPS Automation | | A |
| GENERAL TOLERANCE | | DATE | | WEIGHT |
| UNI - ISO 2768 | | 23/10/2020 | | 0,136kg |
| CLASSE f | | CODE | | |
| | | CA.SSNG.20251418 | | CA.SSNG.20251418 |